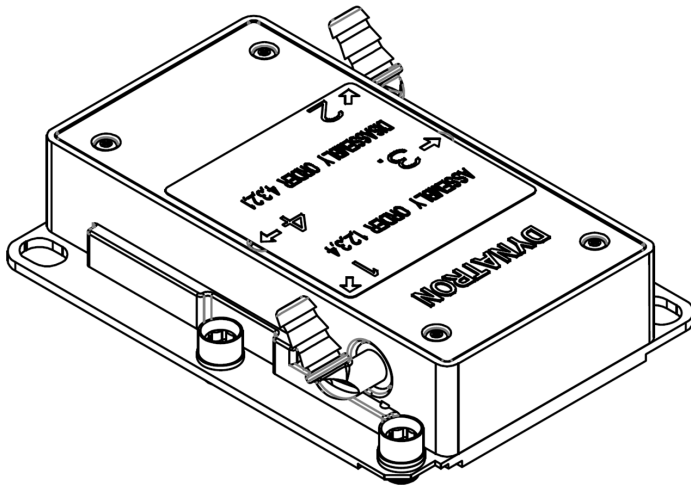


NEW PRODUCT SPEC SHEET

Model Number: CP100

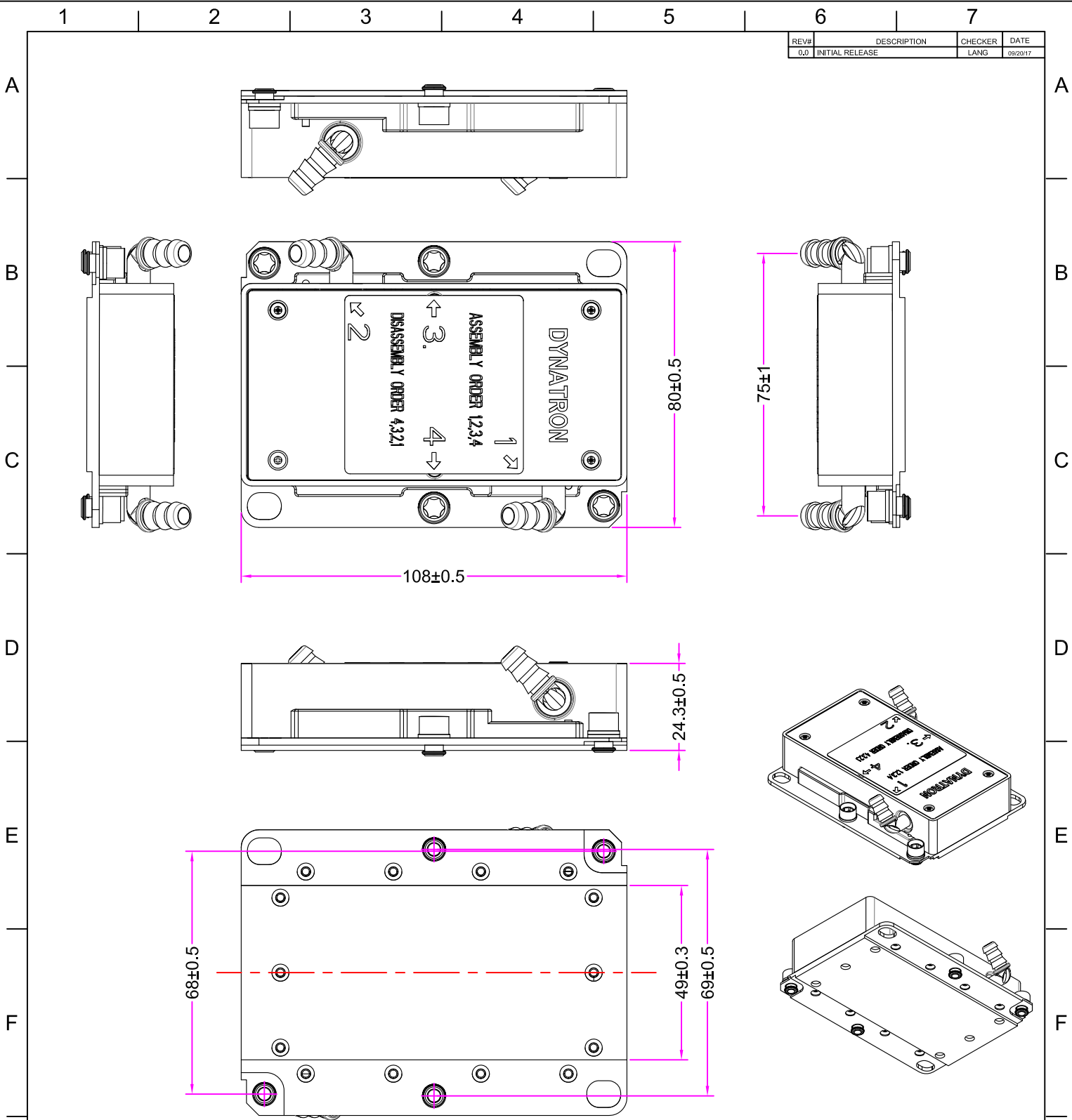
- High-Performance design
- Copper skived fin Cold plate
- User friendly mounting kit available
- Captive mounting included for LGA3647
- Multi-Socket Application: Intel: LGA3647 Narrow



Overall Specification:

- Dimension: 108x80x24.3mm
- Weight: 258g ± 5g
- Material: Copper bottom with PPS cover
- RoHS Compliant
- Captive mounting included for LGA3647
- 7.5mm outer diameter
- Compatible with 5mm inner diameter hose

REV#	DESCRIPTION	CHECKER	DATE
0.0	INITIAL RELEASE	LANG	09/20/17



Work for Intel Skylake, Socket LGA3647 Narrow

	NAME	DATE
DRAWN BY	ENGR	09/20/2017
CHECKED BY	LANG	09/20/2017
ENG. APPROVED		
MFG. APPROVED		



DYNATRON CORPORATION

TITLE:

CP100

CONFIDENTIAL DOCUMENT

VIEW	
UNITS	MM

DWG. No:

DYN-DM-CP100

REV.
A

THIS DRAWING CONTAINS INFORMATION PROPRIETARY TO DYNATRON CORPORATION AND DYNAEON INDUSTRIAL CO., LTD. ANY REPRODUCTION, DISCLOSURE, OR USE OF THIS DRAWING IS EXPRESSLY PROHIBITED EXCEPT AS DYNATRON CORPORATION AND DYNAEON INDUSTRIAL CO., LTD. MAY OTHERWISE AGREE TO IN WRITING.